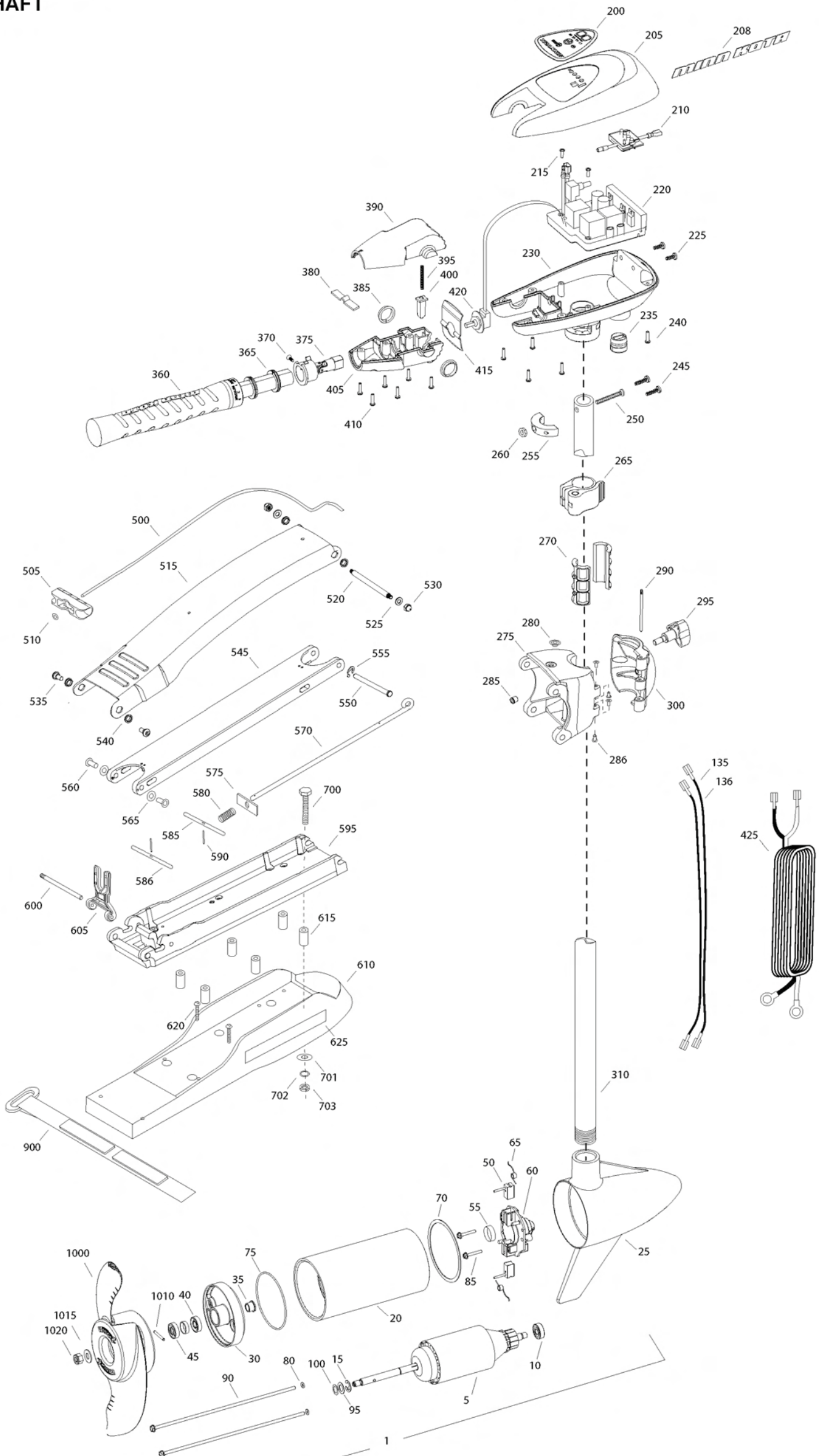


**RIPTIDE MOTORS
RT55SM / LATCH & DOOR
55 LBS THRUST
12 VOLT 50 AMPS
52" SHAFT**

for use with "K" serial numbers
2-year warranty from the date of purchase



| Item | P/N | Description | Qty | Item | P/N | Description | Qty | Item | P/N | Description | Qty |
|------|-----------|---------------------------------|-----|------|---------|----------------------------------|---------|------|---------|--------------------------|-----|
| 1 | 2097095 | 12V Motor 52" SW | 1 | ■ | 2990957 | Handle assy, VARS [360-410] | 1 | | | | |
| 5 | 2-100-117 | Armature assembly | 1 | 360 | 2990456 | Grip/handle assy, VARS [360-375] | 1 | ■ | 1378131 | Propeller kit WW2 | |
| 10 | 140-010 | Bearing | 1 | 365 | 2060015 | Bearing, handle | 2 | ■ | 2994875 | Propeller bag assy | |
| 15 | 788-015 | Retaining ring | 1 | 370 | 2063405 | Screw, #6 PFH SS | 1 | 1000 | 2091160 | Propeller WW2 | 1 |
| 20 | 2-200-301 | Center housing assembly | 1 | 375 | 2884092 | Yoke / spider assy, VARS | 1 | 1010 | 2092600 | Drive pin, small | 1 |
| 25 | 421-336 | Brush end housing assembly | 1 | 380 | 2302742 | Spring, detent, off | 1 | 1015 | 2151726 | Washer, prop, small | 1 |
| 30 | 2-400-337 | Plain end housing assembly | 1 | 385 | 2060005 | Bearing, handle pivot | 2 | 1020 | 2198400 | Nut, nylock, prop, Anode | 1 |
| 35 | 144-049 | Flange bearing | 1 | 390 | 2060900 | Handle pivot, top | 1 | | | | |
| 40 | 880-003 | Seal | 1 | 395 | 2302745 | Spring, release button | 1 | | | | |
| 45 | 880-006 | Seal with shield | 1 | 400 | 2063700 | Button, release | 1 | | | | |
| 50 | 188-036 | Brush | 2 | 405 | 2060905 | Handle pivot, bottom | 1 | | | | |
| 55 | 725-050 | Paper tube | 1 | 410 | 2303412 | Screw, #6 x 5/8 SS | 6 | | | | |
| 60 | 738-036 | Brush plate assembly | 1 | | | | | | | | |
| 65 | 975-040 | Brush spring | 2 | 415 | 2062715 | Spring, handle pivot | 1 | | | | |
| 70 | 337-036 | Gasket | 1 | 420 | 2061700 | Washer, pot holder | 1 | | | | |
| 75 | 701-081 | O-ring, motor | 1 | 425 | 2992521 | Leadwire assy | 1 | | | | |
| 80 | 701-008 | O-ring, thru-bolt | 2 | | | | | | | | |
| 85 | 830-007 | Screw, 8-32 | 2 | ■ | 2991845 | Mount, Bow Assy | 1 | | | | |
| 90 | 830-042 | Thru-bolt | 2 | | | [500-625] | | | | | |
| 95 | 990-067 | Washer, steel | 2 | 500 | 2251601 | Rope | 1 | | | | |
| 100 | 990-070 | Washer, nylatron | 2 | 505 | 2150400 | Pull grip | 1 | | | | |
| 135 | 640-008 | Leadwire, black | 1 | 510 | 2151700 | Washer | 1 | | | | |
| 136 | 640-107 | Leadwire, red | 1 | 515 | 2264244 | Arm, upper, std, sw | 1 | | | | |
| ■ | 2888460 | Seal and O-ring Kit | | 520 | 2262604 | Pin, bowguard, upper | 1 | | | | |
| | | | | 525 | 2261722 | Washer, 5/16", ss | 2 | | | | |
| 200 | 2195654 | Decal, c-box cover | 1 | 530 | 2223100 | Nut, 5/16-18 SS | 2 | | | | |
| 205 | 2060296 | C-box cover | 1 | 535 | 2263500 | Bolt, shoulder | 2 | | | | |
| 208 | 2325666 | Decal - MinnKota | 2 | 540 | 2293501 | Bushing, SS | 4 | | | | |
| 210 | 2074080 | Battery meter, 12v SW | 1 | 545 | 2994351 | Arm, Lower, std, sw | 1 | | | | |
| 215 | 3043427 | Screw, #8 x 7/8 SS | 2 | 550 | 2262622 | Pin, clevis ss | 1 | | | | |
| 220 | 2184006 | Control board, 12v | 1 | 555 | 2263011 | E-clip, ss | 1 | | | | |
| 225 | 2303434 | Screw, #8-30 x 5/8 SS | 2 | 560 | 2267318 | Bushing, nyloner | 2 | | | | |
| 230 | 2062503 | Control box, VARS, SW | 1 | 565 | 2261708 | Washer, spacer, .010 thk | as reqd | | | | |
| 235 | 2062905 | Strain relief | 1 | 570 | 2153603 | Eyeshaft, ss | 1 | | | | |
| 240 | 2303412 | Screw, #6 x 5/8 SS | 6 | 575 | 2262703 | Spring stop | 1 | | | | |
| 245 | 2263434 | Screw, #8 x 1 SS | 2 | 580 | 2152701 | Spring, lock bar, ss | 1 | | | | |
| 250 | 2263406 | Screw, #10-24 x 2 SS | 1 | 585 | 2233621 | Lock bar, front, ss | 1 | | | | |
| 255 | 2061517 | Collar, c-box | 1 | 586 | 2233623 | Lock bar, back, ss | 1 | | | | |
| 260 | 2333101 | Nut, 10-24, nylock, SS | 1 | 590 | 2152612 | Spring pin, ss | 2 | | | | |
| 265 | 2991521 | Cam lock/depth collar assy | 1 | 595 | 2773983 | Bowplate w/ insert, std, fw | 1 | | | | |
| | | | | 600 | 2260505 | Hinge pin, ss | 1 | | | | |
| ■ | 2991808 | Hinge & door assembly [270-300] | | 605 | 2293811 | Yoke, Max | 1 | | | | |
| 270 | 2151532 | Hinge sleeve | 2 | 610 | 2263917 | Motor rest, std, fw | 1 | | | | |
| 275 | 2991782 | Hinge base assembly | 1 | 615 | 2261505 | Spacer, motor rest | 6 | | | | |
| 280 | 2232315 | Eyelet SS | 1 | 620 | 2263434 | Screw, #8, SS | 2 | | | | |
| 286 | 2236001 | Bushing, nyloner | 4 | 625 | 2065677 | Decal, motor rest | 2 | | | | |
| 285 | 2264706 | Insert, hinge base | 1 | | | | | | | | |
| 290 | 2262642 | Pin, hinge door | 1 | ■ | 2994830 | Bag assembly | 1 | | | | |
| 295 | 2260902 | Knob, door | 1 | 700 | 2263431 | Screw, 1/4-20 x 3 1/2" PPH, SS | 6 | | | | |
| 300 | 2261859 | Hinge door | 1 | 701 | 2301720 | Washer, rubber mounting | 6 | | | | |
| | | | | 702 | 2261713 | Washer, 1/4 SS | 6 | | | | |
| 310 | 2032034 | Tube Composite 52" | 1 | 703 | 2263101 | Nut, 1/4-20 Nylock, SS | 6 | | | | |
| | | | | 900 | 2263804 | Strap, hold down | 1 | | | | |

* This item is part of an assembly. This item cannot be sold separately due to machining and /or assembly that is required.

Riptide 55 is 12-volt only!

THIS IS A UNIVERSAL MULTI-VOLTAGE DIAGRAM. DOUBLE CHECK YOUR MOTORS VOLTAGE FOR PROPER CONNECTIONS

